

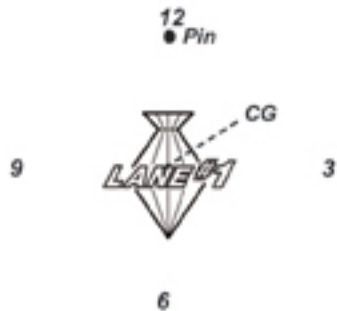


Carbide BOMB

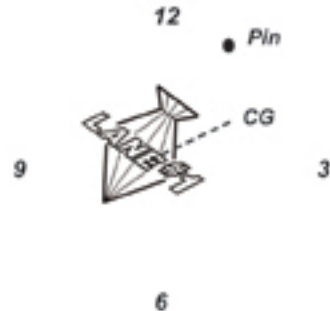
Drilling Specifications

Pin Position

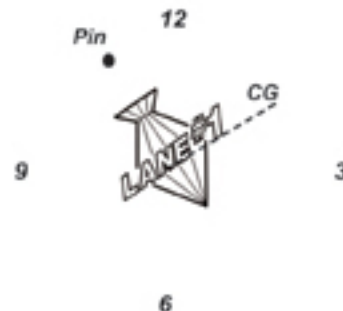
The Buzzsaw's 12:00 pin, relative to the CG, makes this ball driller friendly for right & leftand bowlers.



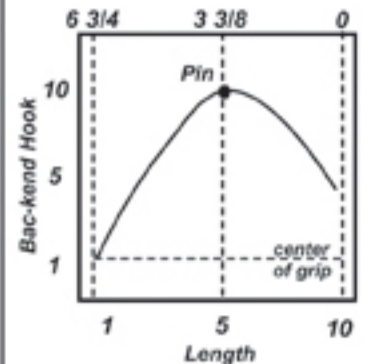
Turning the pin towards 3 O'clock, relative to the CG, will increase length.



Turning the pin towards 9 O'clock, relative to the CG, will decrease length.



Pin distance from axis



Drilling Recommendations

Label



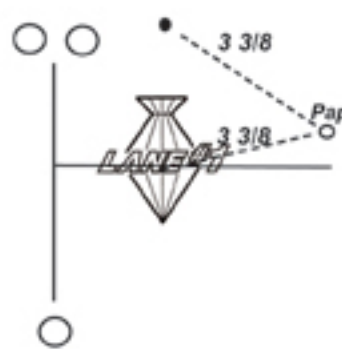
Length 8 Back-end 8

Label



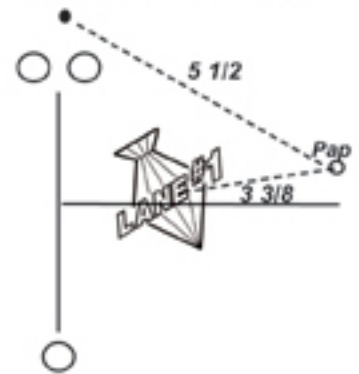
Length 2 Back-end 3

Max Leverage



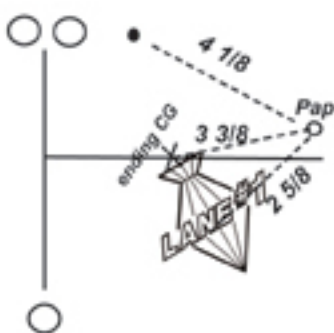
Length 5 Back-end 10

CG Out Leverage



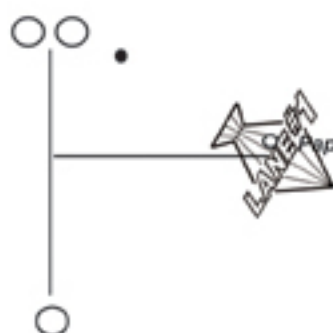
Length 3 Back-end 6

Thumb Leverage



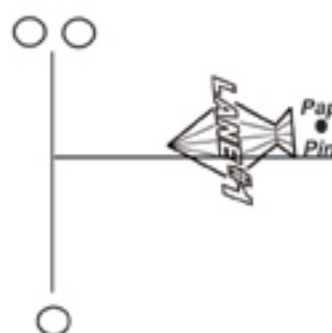
Length 4 Back-end 7

CG Axis



Length 5 Back-end 8

Pin Axis



Length 10 Back-end 4

Notes

1. Pos. side, finger, & top wt., increase length and back-end.
2. Neg. side, thumb, & bottom, decrease length and back-end.
3. Axis holes decrease flare and back-end reaction.
4. Pin-in balls decrease length.
5. Pin-out balls increase length and flip.
6. If ending center of gravity is on your pin, CG or on the same rotational plane as those, reaction is enhanced.